

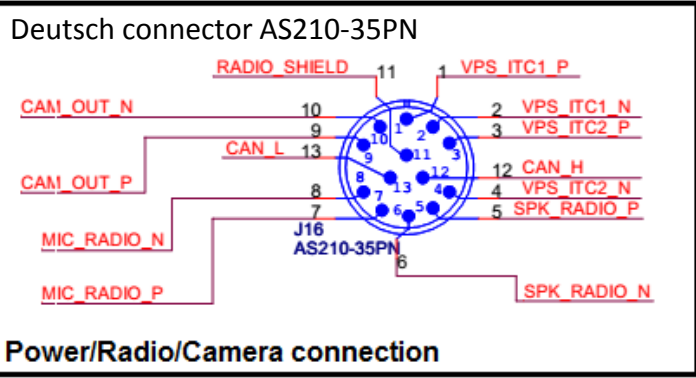
Helmets cable connection and remote controller cable



Helmets cable
(Part no. YB0600)
Extension cable (optional)
(Part no. YB0317)



Power supply wiring
(Part no. YB0301)



Aerial antenna connector
socket SIM
Trimmers for Radio In, Radio Out and Camera level adjust

Plug in the CONNECTOR

- Move back the O-Ring (1)
Plug in the connector (2)
- Push the O-Ring in the slot

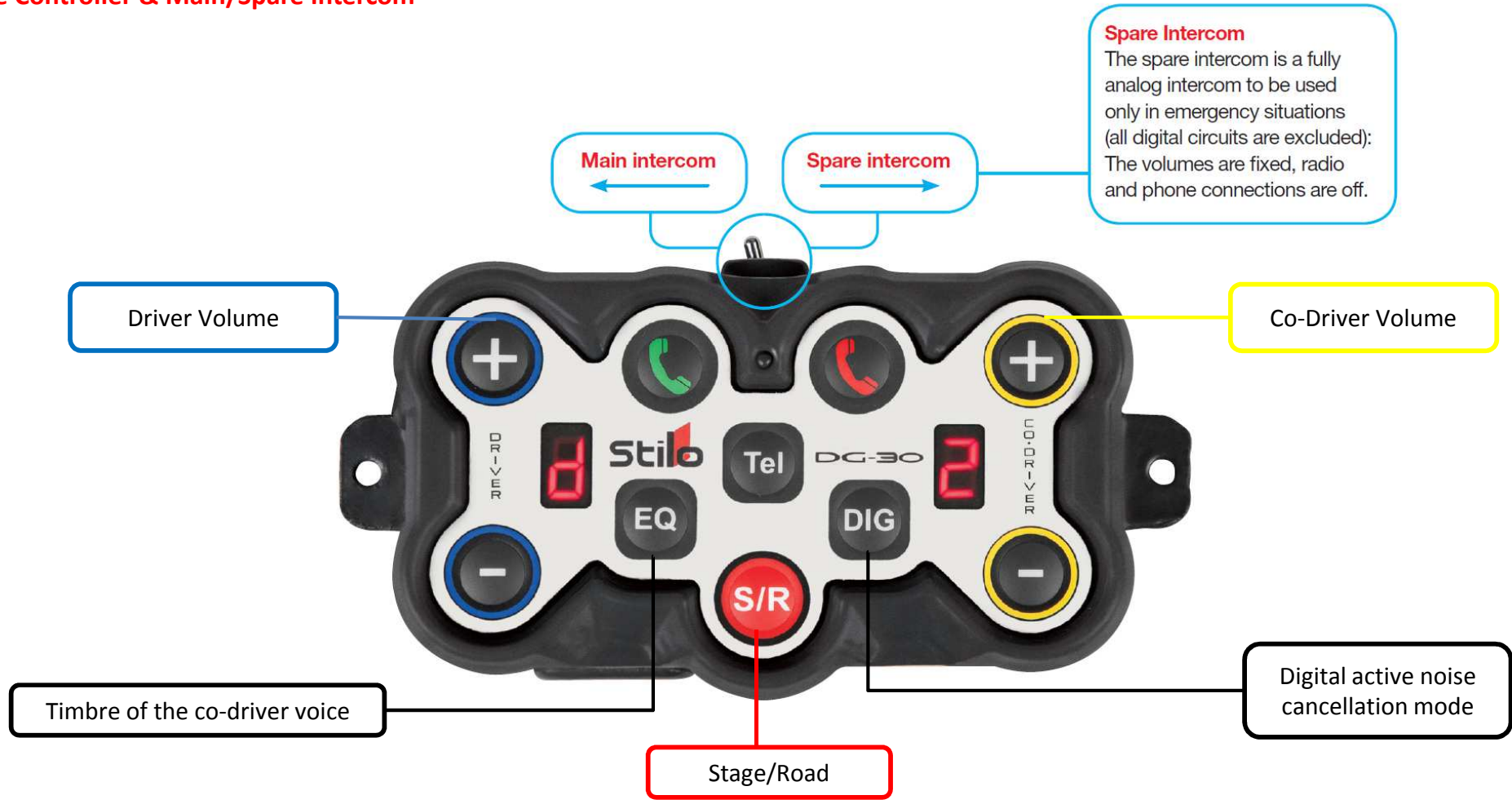


Unplug the CONNECTOR

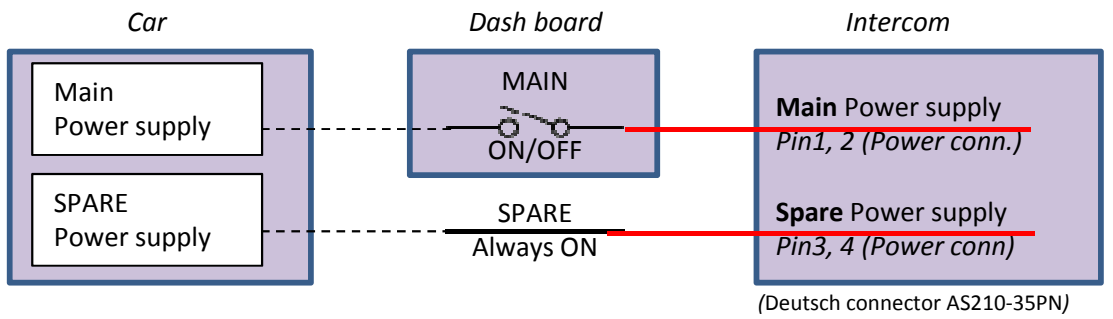
- Move back the O-Ring
- Take out the connector



Remote Controller & Main/Spare intercom


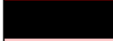

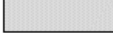


NOTE Power supply: If the remote controller is not used (because the intercom is controlled by CAN-BUS) a **switch** according to the following connection should be placed on the dash board for MAIN/SPARE selection.


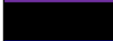






Standard Stilo Power supply, camera, radio connecting wiring

Note: the standard cable do not have CAN-BUS connection

Power Supply Wiring "A"		
	Red	+ Intercom 1
	Black	- Intercom 1
	Pink	+ Intercom 2
	Grey	- Intercom 2

Videocamera Wiring "B"		
RCA	Inside positive	
	Outside negative	

Radio Wiring "C"		
	Purple	+ Microphone
	Black	- Microphone
	Blue	+ Speaker
	White	- Speaker
	Brown	Not connected
	Red	Not connected
Do not connect screen		

Connector "E"	
Pin 1	+ Intercom 1
Pin 2	- Intercom 1
Pin 3	+ Intercom 2
Pin 4	- Intercom 2
Pin 5	+ Speaker Radio
Pin 6	- Speaker Radio
Pin 7	+ Microphone Radio
Pin 8	- Microphone Radio
Pin 9	+ Microphone Camera
Pin 10	- Microphone Camera
Pin 11	Radio ground/camera
Pin 12	-
Pin 13	-
"E" Connector = Deutsch AS610-35SN	

